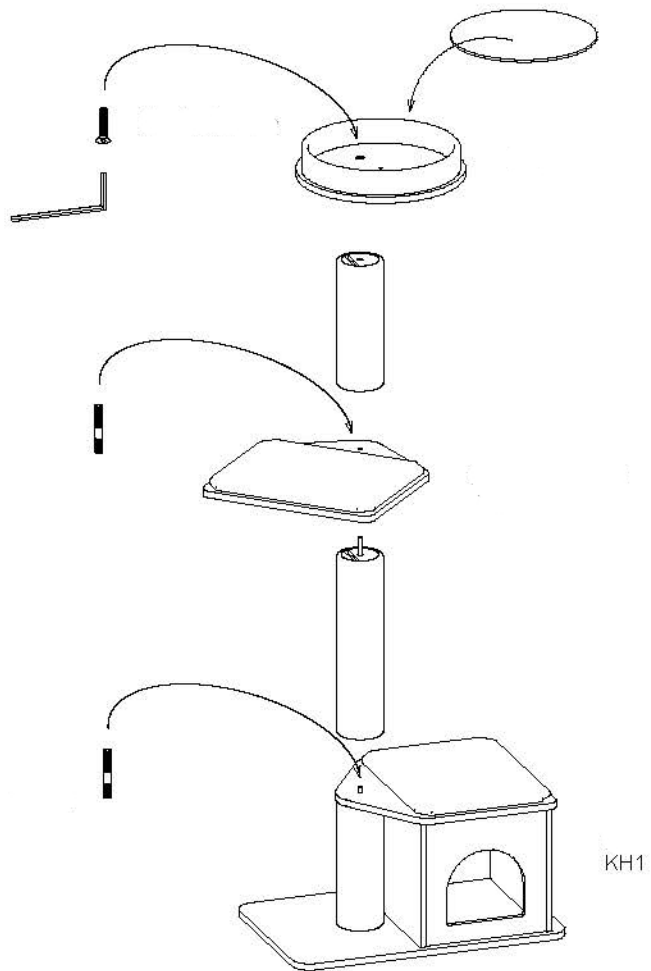


# Profeline® Cat Tree System

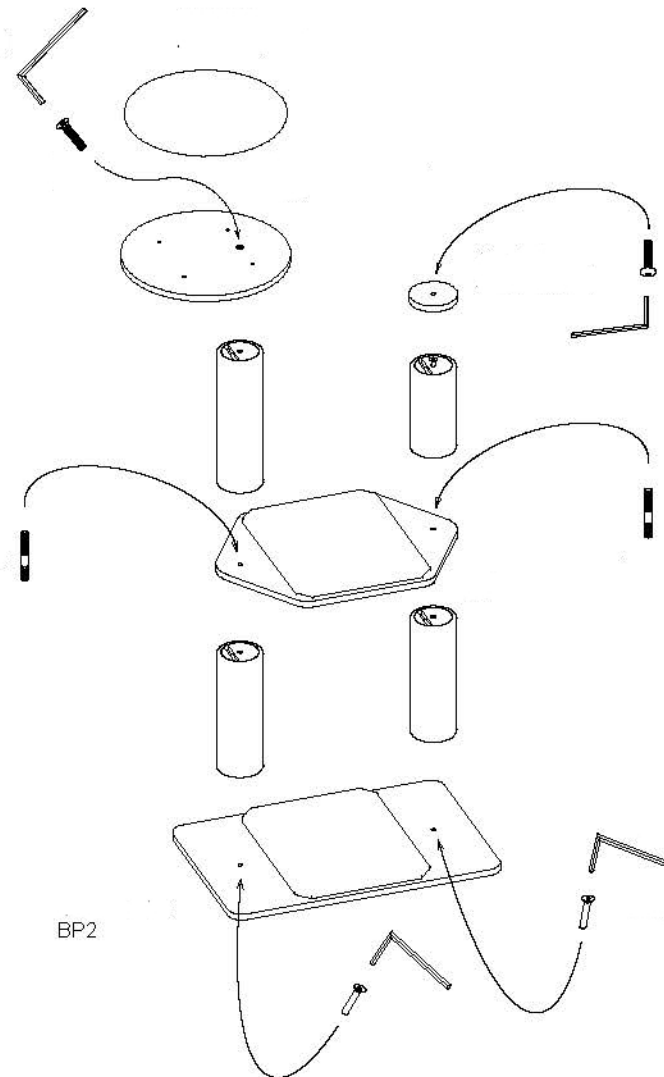
1 - Post Cat Tree / 2 - Post Cat Tree

Please read our tips at the back of this manual

Example 1:



Example 2:



# Scratching Post Assembly

## Profeline® Cat – Tree - System

### 1 – Post Cat Tree / 2 – Post Cat Tree

With **Profeline** you have chosen a durable and robust cat tree, which is suitable for a whole variety of demands, for your velvet-pawed favourite. A prerequisite to its solid standing is the careful assembly and attachment. Please read the assembly instructions carefully and use the illustration on the back of this manual as an overview.

**Important:** When assembling your cat tree always ensure a solid standing. With a lot of models the use of a secure stepladder is absolutely necessary.

#### 1. Models with cathouse KH1 + KH2:

For slippery floors (tiled, parquet ...) you can attach the supplied felt pads to the underside of the bottom plate. Screw the first sisal post directly onto the threaded rod of the cathouse.

#### 2. Models with bottom plate

Screw the bottom plate BP2 with the countersunk screw M10x45 onto the bottom of the lowest sisal post. (See illustration at the back of this manual). Tighten the screw with the supplied Allen key.

#### 3. Assembly of the posts and lounge platforms:

Now twist one of the threaded rods on top into the threaded insert of the sisal post. Plug the first platform into the threaded rod and screw, while holding on to the platform, the second sisal post on to the threaded rod. Assemble the other posts and platforms in the same way.

**TIP:** Don't fully tighten the sisal posts yet, so that you can still turn the platforms in the direction you want them.

#### 3a. Models with cathouse KH4

Orient the integrated post in way that the openings of the threaded inserts are level with the drilled openings of the top and bottom of the cathouse. Screw the threaded rods at the top and bottom into the post of the cathouse.

When assembling a cathouse you should always work in pairs. One person sets the threaded rod of the cathouse onto the threaded insert of the bottom post and keeps the cathouse level. The second person screws, by turning the post integrated into the cathouse, the cathouse into place.

#### **Lounger platform round AE1:**

*Pull the carpet mounting plate off the wooden plate. Screw the wooden plate with the countersunk screw M10 onto the uppermost sisal post. Tighten the screw with the supplied Allen key, replace the carpet mounting plate onto the wooden plate and press down on it.*

#### **Lounger platform round with border AE2:**

Remove the carpet inside the ring. Screw the wooden plate with the countersunk screw M10 onto the uppermost sisal post. Tighten the screw with the supplied Allen key and replace the carpet inside the ring.

**TIP:** As a result of the wood drying process, especially during the heating period, the fittings may loosen. Tighten all screws after 2-3 days again and check the steadiness of your Profeline cat tree regularly.