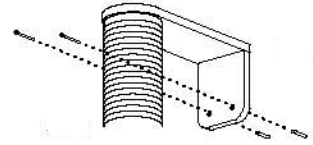


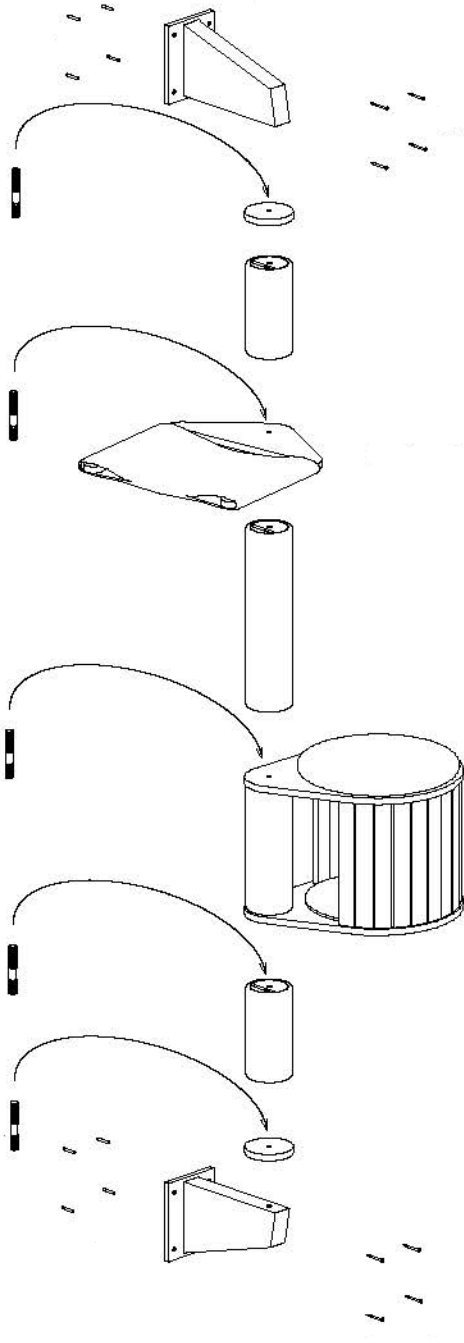
Profeline® Cat Tree System

Wall supported Cat trees

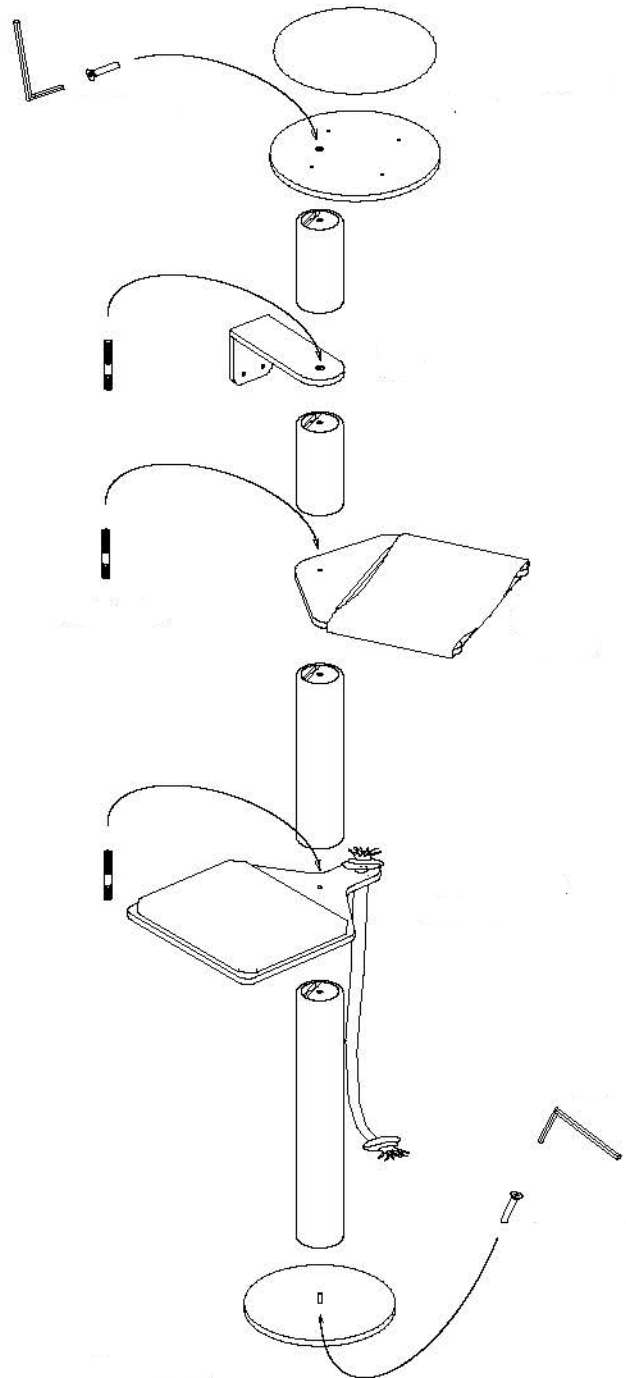
Please read our tips at the back of this manual



Example 1:



Example 2:



Scratching Post Assembly
Profeline® Cat – Tree - System
Wall supported Cat trees

With **Profeline®** you have chosen a durable and robust cat tree, which is suitable for a whole variety of demands, for your velvet-pawed favourite. A prerequisite to its solid standing is the careful assembly and attachment. Please read the assembly instructions carefully and use the illustration on the back of this manual as an overview.

Important: When assembling your cat tree always ensure a solid standing. With a lot of models the use of a secure stepladder is absolutely necessary.

Caution: Do not drill into any lines (electricity, water). If you are not sure, consult an expert. Do not drill through the bracket holes into the wall. The drill could catch on the wood of the wall bracket – injury risk!

1. Models with bottom plate

Screw the bottom plate BP2 with the countersunk screw M10x45 onto the bottom of the lowest sisal post. (See illustration at the back of this manual). Tighten the screw with the supplied Allen key.

2. Assembly of the bottom wall bracket WB3 and WB2

With a pencil draw the position of the holes to be drilled through the holes of the wall bracket element onto the wall. At the marked spots, drill four 6mm holes into the wall for the wall plugs. Put the supplied wall plugs into the drill holes and screw in the wall bracket WB3 tightly with the supplied screw 4.5x8. Now twist a threaded rod into the insert of the wall bracket WB3 – put the washer onto the threaded rod and twist the first post onto the rod.

3. Assembly of the posts and lounge platforms:

Now twist one of the threaded rods on top into the threaded insert of the sisal post. Plug the first platform into the threaded rod and screw, while holding on to the platform, the second sisal post on to the threaded rod. Assemble the other posts and platforms in the same way.

TIP: Don't fully tighten the sisal posts yet, so that you can still turn the platforms in the direction you want them.

3a. Models with cathouse KH4:

Orient the integrated post in way that the openings of the threaded inserts are level with the drilled openings of the top and bottom of the cathouse. Screw the threaded rods at the top and bottom into the post of the cathouse. When assembling a cathouse you should always work in pairs. One person sets the threaded rod of the cathouse onto the threaded insert of the bottom post and keeps the cathouse level. The second person screws, by turning the post integrated into the cathouse, the cathouse into place.

4. Assembly of the upper wall bracket WB3, WB1 and WB2, WB1 K (short)

Assemble your cat tree as described above. Align the platforms and posts and tighten all posts.

WB1: Place the wall bracket WB1 between two of the upper posts (see illustration at the back), or screw the wall bracket WB1 onto the top post (see fig. 2).

WB3: Twist the wall bracket WB3 onto the threaded rod of the uppermost post.

WB1, WB2 und WB3: With a pencil draw the position of the holes to be drilled through the holes of the wall bracket element onto the wall. Turn the wall bracket on its side and drill the holes for the wall plugs in the marked spots. Place the supplied wall plugs into the drill holes and turn the wall bracket back into its original position. Screw the wall bracket in tightly with the supplied screws.

WB1 K (short): Place the wall bracket WB1 onto the post.

(Important: Only place it – do not yet screw it into the post.)

Draw the position of the holes to be drilled through the holes of the wall bracket element onto the wall.

Briefly take off the wall bracket WB1.

To drill the holes for the wall plugs, push the post to the side.

Assemble the wall bracket on the wall – to twist in the screw, push the post to the side.

Finally, connect the wall bracket WB1 briefly with the post.

TIP: As a result of the wood drying process, especially during the heating period, the fittings may loosen. Tighten all screws after 2-3 days again and check the steadiness of your **Profeline®** cat tree regularly.

